



MARATHON
P O W E R

Track Series

**Uninterruptible Power Supply
Extended Run-Time Battery Pack**

USER MANUAL

For:

19" RACK-MOUNT MODEL

TBPR-1272-' *

1. Introduction

Dear Customer,

Thank you for selecting a Marathon Power Extended Run-Time Battery Pack (EBP). Rest assured that you have purchased a product consistent with our reputation for quality and reliability. Along with the appropriate UPS, it will provide years of protection against disruptive and costly power disturbances. As future needs arise, we hope you will consider other products of ours.

Please take the time to read this manual and store it in a safe place!

It provides safety, installation and operating instructions that will allow maximum performance and service life to be derived from the EBP. It also contains instructions for obtaining factory service and support.

Please save or recycle the packaging materials!

They were designed to provide adequate protection from transport related damage. Since damage sustained during transit is not covered under warranty, save the material in case the EBP needs to be returned for service or repair. Alternately, please recycle them.

2. Overview

Marathon Power's Extended Run-Time Battery Packs (EBP's) are designed to provide additional backup time to UPS models capable of such. They contain sealed, maintenance-free, lead-acid batteries with the electrolyte completely absorbed in the separator material and plates. The expected life of the batteries is 3-5 years depending on useage and ambient temperature. The cooler the environment, the better. Please contact Marathon Power for replacement batteries. Various DC bus voltages are available, so verify that the correct battery pack has been supplied.

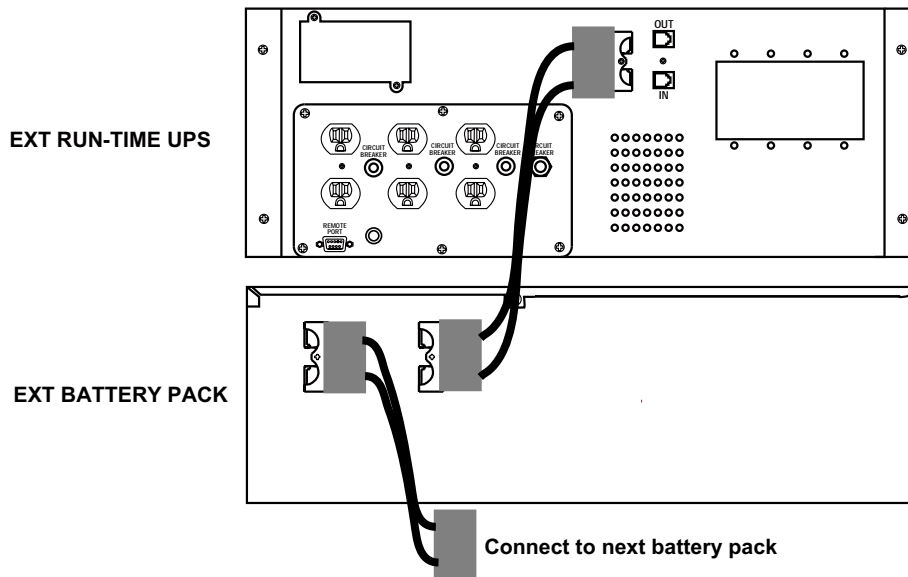
3. Safety

WARNINGS AND CAUTIONS!

Please be aware of, and observe the following:

- To reduce the risk of electric shock, disconnect the UPS from the main AC supply before installing battery packs. Reconnect the power cord only after the all connections have been made.
- The internal energy source (the batteries) cannot be de-energized by the user. The output may be energized when the unit is not connected to the AC supply.
- The correct way to de-energize the UPS and Battery Pack/s in an emergency is to switch the system OFF and disconnect the power cord from the main supply.
- Even when the unit is disconnected, risk of electric shock by the battery inside the unit still exists. To avoid this, the battery supply should be disconnected at the positive and negative terminals.
- Install the UPS & EBP in a temperature & humidity controlled indoor area free of contaminants.
- Do not dispose of batteries in a fire as they may explode. Please contact tech support for proper disposal instructions.
- Do not open or attempt to dismantle the battery, as electrolyte that is harmful to the skin and eyes may be released.
- Batteries can present a risk of electric shock and high short circuit current. The following precautions should be taken when working with them:
 - Remove watches, rings and other jewelry or metal objects.
 - Use tools with insulated handles.
- To reduce risk of fire, replace only with same type and rating of fuse.

4. Installation



4.1 Inspection

Inspect the EBP upon receipt for any visible damage. The packaging is recyclable; save it for reuse or dispose of it properly.

NOTE: While the EBP has been charged prior to delivery, it is recommended that it be re-charged for 24 hours after installation for maximum backup time or for long-term storage. Confirm that the correct battery pack (correct DC bus voltage) has been supplied before connecting to the UPS.

4.2 Placement

Install the EBP (with the UPS) in a protected area with adequate airflow and free of excessive dust. Refer to the UPS user manual for instructions and diagrams on how to install the EBP's (and UPS) in rack-mount, stack or wall mount applications.

4.3 Connecting The EBP's and the UPS

The EBP comes with a suitably rated interconnecting cable with a polarized plug on each/one end. Checking the orientation of the connectors, plug the cable into the sockets on the rear of the UPS and EBP. RED connects to RED and BLACK connects to BLACK.

Secure the plug on the end of the cable to the UPS and the EBP using the supplied brackets. Minor arcing (sparking) may occur briefly when connecting the EBP.

NOTE: If you are installing and connecting the UPS and EBP's for the first time, please follow the instructions shown in the UPS User Manual as well.

NOTE: EBP's should be connected with the UPS off and completely disconnected. Do NOT connect or disconnect EBP's while the UPS is in backup mode.

4.4 Battery Pack Charging

The UPS will charge the EBP's automatically as long as the UPS is connected to utility power, even if the UPS is off. For optimum results, charge the UPS + EBP's for at least 24 hours prior to initial use.

5. Care & Maintenance

1. Keep the unit clean and vacuum the ventilation intakes periodically and keep them unobstructed.
2. Wipe with a soft, damp (not wet) cloth.
3. Check for loose and/or bad connections monthly.
4. Do not leave the unit/s on an uneven surface.
5. Position the unit to allow at least 1/2" (1.3 cm) clearance between the rear panel and the wall.
6. Normal operating temperature is 32°F to 104°F (0 - 40°C).
7. Avoid direct sunlight, rain, high humidity and keep away from fire and extremely hot locations.
8. The unit should not be exposed to corrosive environments or conductive contaminants.

6. Specifications

MODEL		TBPR-1272-' *
General	Capacity	22Ah
	DC Bus Voltage	36VDC
	Typical Recharge Time	6-12 hours depending on final discharge level and UPS charger setting
	Back up Time	20 – 180 minutes depending on load
Battery	Type	Sealed, maintenance-free lead acid
	Brand	CSB (Yuasa or Panasonic optional)
	Rating	12VDC, 7.2Ah
	Quantity	12 pieces
	Unit Input	Fuse for overload & UPS short circuit protection
	Short Circuit	UPS output is cut off immediately and/or input fuse protection
Physical	Net/Gross weight	54 / 59 lbs (24.5 / 26.8 kgs)
	Dimensions WxDxH	17 x 16 x 5.3 ins (432 x 406 x 135 mm)
	Input/Output	50 Amp Polarized DC Connectors
Environment	Ambient	18,000 ft. elevation, 0-95% humidity non-condensing, 32-104°F (0-40°C)
	Storage	45,000 ft max. elevation

7. Product Warranties

Limited Three-Year Warranty and Exclusions

NOTE: For this warranty to be valid, completed registration information must be received within 30 days of original purchase.

Marathon Power warrants to the original purchaser, who must have properly registered the product within 30 days of purchase, that this product at the time of its sale by Marathon Power is free of defects in materials and workmanship under normal and proper use for three (3) years (batteries for two (2) years within the USA, Canada and Mexico otherwise one (1) year) from the original purchase date. Marathon Power will correct such defects by repair or replacement, at its option, if within such three year period the product is returned prepaid and all warranty claim instructions are followed. This warranty excludes labor for removal of this product or reinstallation and is void if this product is installed improperly or in an improper environment, overloaded, misused, opened, abused or altered in any manner or not in accordance with any labels or instructions. In addition, the warranty does not cover restoration of lost data and reinstallation of software. There are no other or implied warranties of any kind, including merchantability and fitness for a particular purpose, but if any implied warranty is required by the applicable jurisdiction, the duration of any such implied warranty, including merchantability and fitness for a particular purpose, is limited to three years. Marathon Power is not liable for incidental, indirect, special, or consequential damages, including without limitation, damage to, or loss of use of, any equipment, lost sales or profits or delay or failure to perform this warranty obligation. To file a warranty claim you must take the following steps: Contact Marathon Power at Marathon Power, Inc., Attn: Returns, 2538 E. 54th Street, Huntigton Park, CA 90255 or call (310) 689-2328 within 30 days of the occurrence. Be prepared to provide detailed information about the event, any damage, the UPS model number, purchase date and location. A Return Authorization Number (RAN) MUST be obtained.