

WE GO THE DISTANCE FOR YOU



Manual Power Transfer Switch

For Vault Series

Product Info

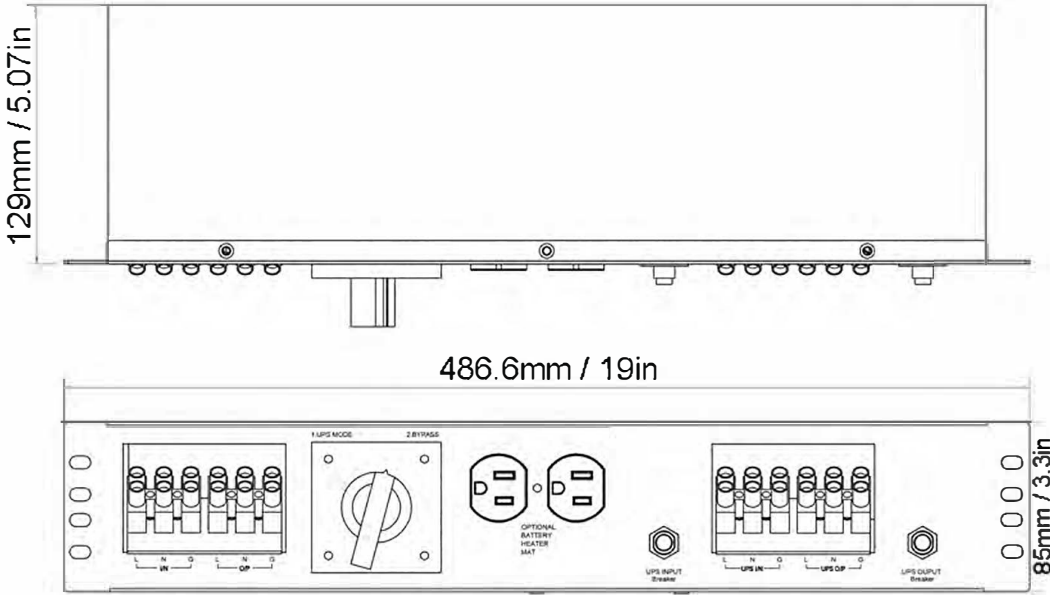
- Low Profile, Space Saving Design: 2U Vertical Rack Space.
- Operates in Extreme Environments from -40°C to +74°C (-40°F to +165°F).
- High-quality cam switch with leading and overlapping contacts.
- Hardwire version for easy and versatile installation.
- Input and Output circuit breakers.
- Two NEMA Convenience Outlets.
- 19' Rack Mount or Free Standing Shelf Mount

MECHANICAL	
Dimensions (W x D x H) inches / mm	W 17.75 / 451 (with flange 19 / 483) D 5.07 / 129 H 3.5 / 89
Weight (lbs./kg)	7 / 3.2
Mounting	Shelf or 19" rack mount
Input Connection	Hardwire Terminal Block
Output Connection to Loads	Hardwire Terminal Block
Cooling	Convection (approx. 7 W contractor coil dissipation)
ENVIRONMENTAL	
Operating Temp °C	-37 to +74°C
Storage Temp °C	-50 to +75°C
Humidity	<95% non-condensing
Altitude, ft. (m)	10,000 (3000)

For use with:
Vault UPS Series.



Manual Power Transfer Switch Dimensions (mm / in)



Part # VSRC-3000-01



2538 E. 54th Street
Huntington Park, CA 90255
Office: 310-689-2328
Fax: 310-689-2329
sales@marathon-power.com
info@marathon-power.com
www.marathon-power.com

Your local representative / distributor is