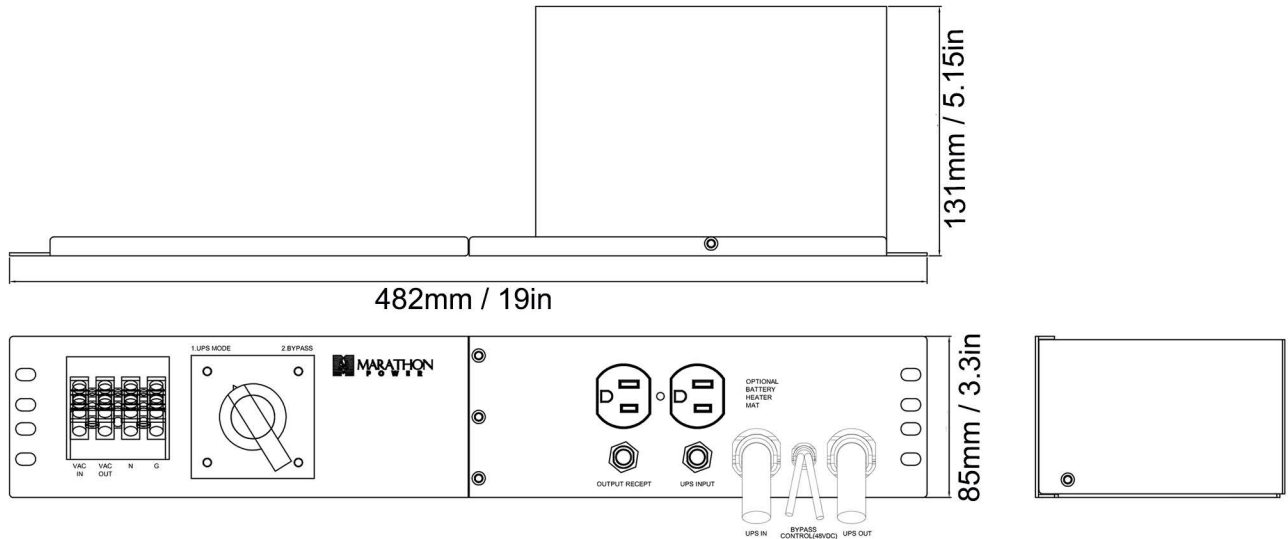


Manual Power Transfer Switch (Open) Dimensions (mm / in)



2538 E. 54th Street
Huntington Park, CA 90255
Office: 310-689-2328
Fax: 310-689-2329
sales@marathon-power.com
info@marathon-power.com
www.marathon-power.com

Your local representative / distributor is