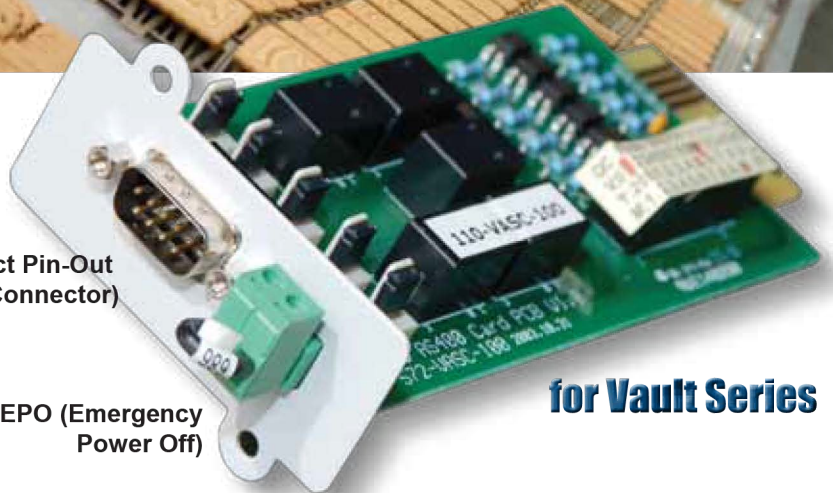




AS-400 Relay Card



Contact Pin-Out
(DB9 Connector)

EPO (Emergency
Power Off)

for Vault Series

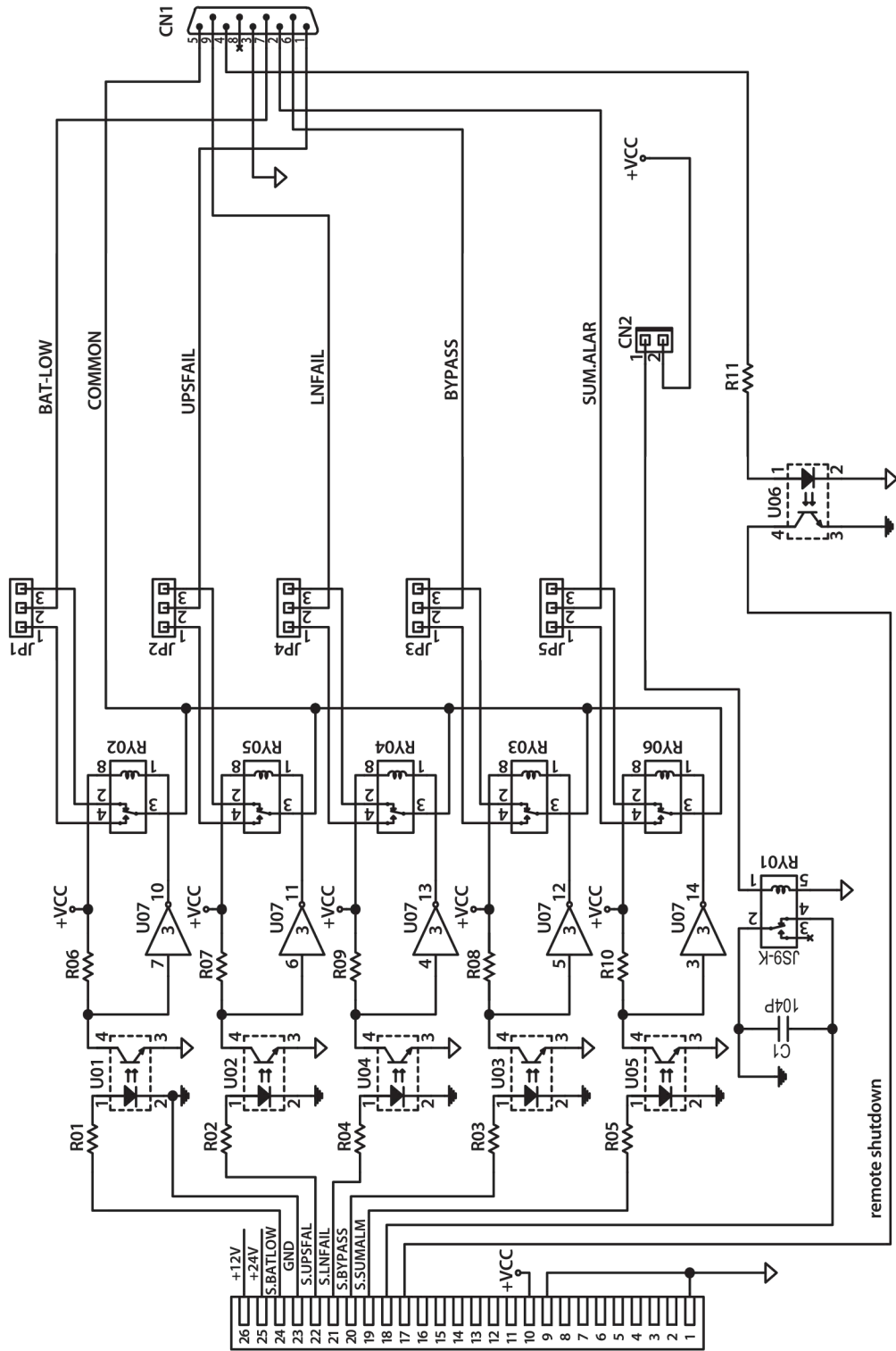
UPS Product Information

The AS-400 Relay Card converts UPS communication signals to potential-free, dry contacts for industrial control. It is designed for internal use with Marathon Power's Vault Series UPS. Dry contact signals and pin-out details for the DB9 Connector are as follows:

Pin #	Description	Input/Output
1	UPS fault, relay contact, normally open, active close.	output
2	Summary alarm, relay contact, normally open, active close. One of the following conditions activate this signal: Battery test failure, Charger failure, Bypass active, Output fault, Bus fault, Inverter fault, Over-temp, Overload	output
3	GND for secondary	
4	Remote shutdown	input
5	Common	
6	Bypass active, normally open, active close	output
7	Battery low, normally open, active close	output
8	Spare	
9	AC power failure, normally open, active close	output

Note: Contacts are rated at 1A, 24VDC or 1A, 120VAC

Vault Series Relay Card Schematic



Part Number: VASR-INTL-01



2538 E. 54th Street
 Huntington Park, CA 90255
 Office: 310-689-2328
 Fax: 310-689-2329
 sales@marathon-power.com
 info@marathon-power.com
 www.marathon-power.com

Your local representative / distributor is