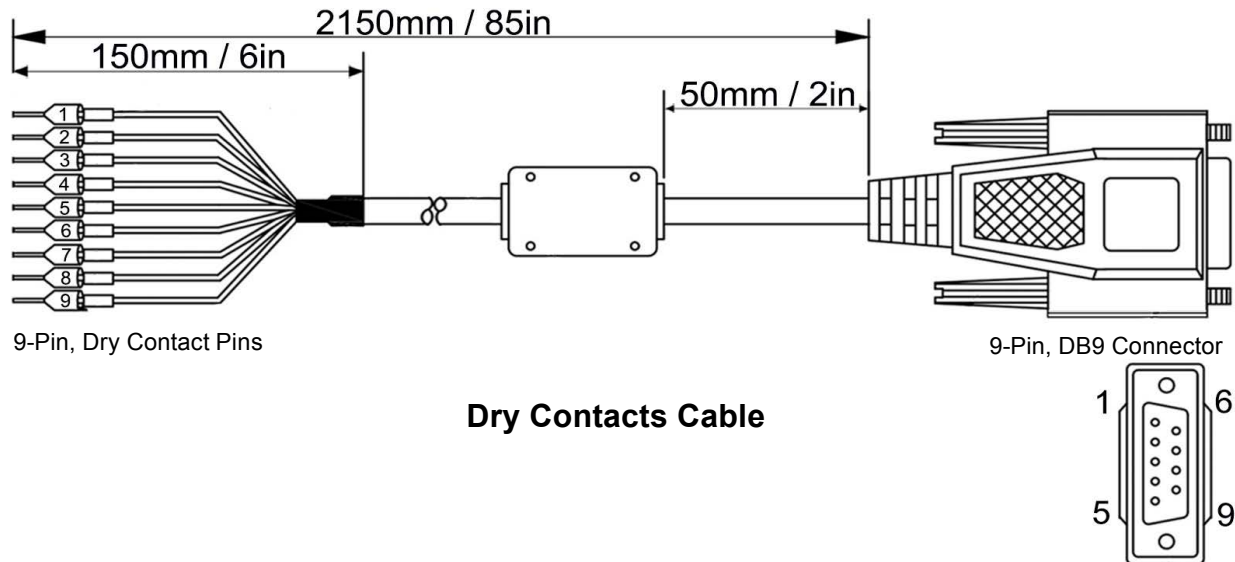


Vault Series Dry Contact Relay Connections

The AS-400 Relay Card converts UPS communication signals to potential-free, dry contacts for industrial control. It is designed for internal use with Marathon Power's Vault Series UPS. Dry contact signals and pin-out details for the DB9 Connector are as follows:



9-Pin, Dry Contact Pins

9-Pin, DB9 Connector

Dry Contacts Cable

Pin #	Description	Input / Output
1	Description UPS fault, relay contact, normally open, active close.	Output
2	Summary alarm, relay contact, normally open, active close. One of the following conditions activate this signal: Battery test failure, Charger failure, Bypass active, Output fault, Bus fault, Inverter fault, Over-temp, Overload.	Output
3	GND for secondary	
4	Remote shutdown	Input
5	Common	
6	Bypass active, normally open, active close	Output
7	Battery low, normally open, active close	Output
8	Spare	
9	AC power failure, normally open, active close	Output

Note: The relays are by default Normally Open (Active Close) but the configuration can be changed to Normally Closed (Active Open) by jumper adjustment on the card.

Note: Contacts are rated at 1A, 24VDC or 1A, 120VAC.