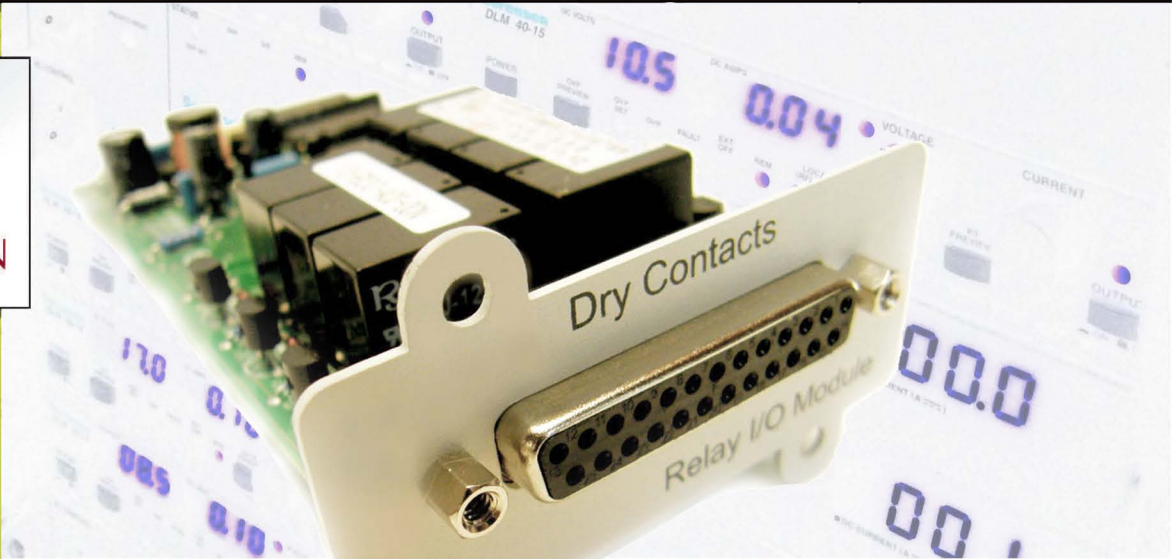


WE GO THE DISTANCE FOR YOU



AS-400 Relay Card for Track Series

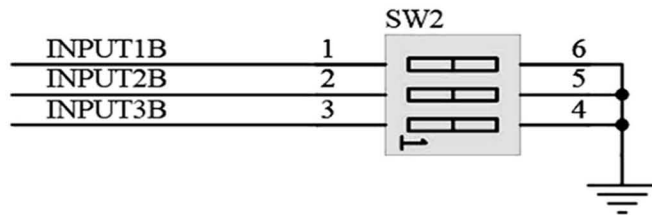
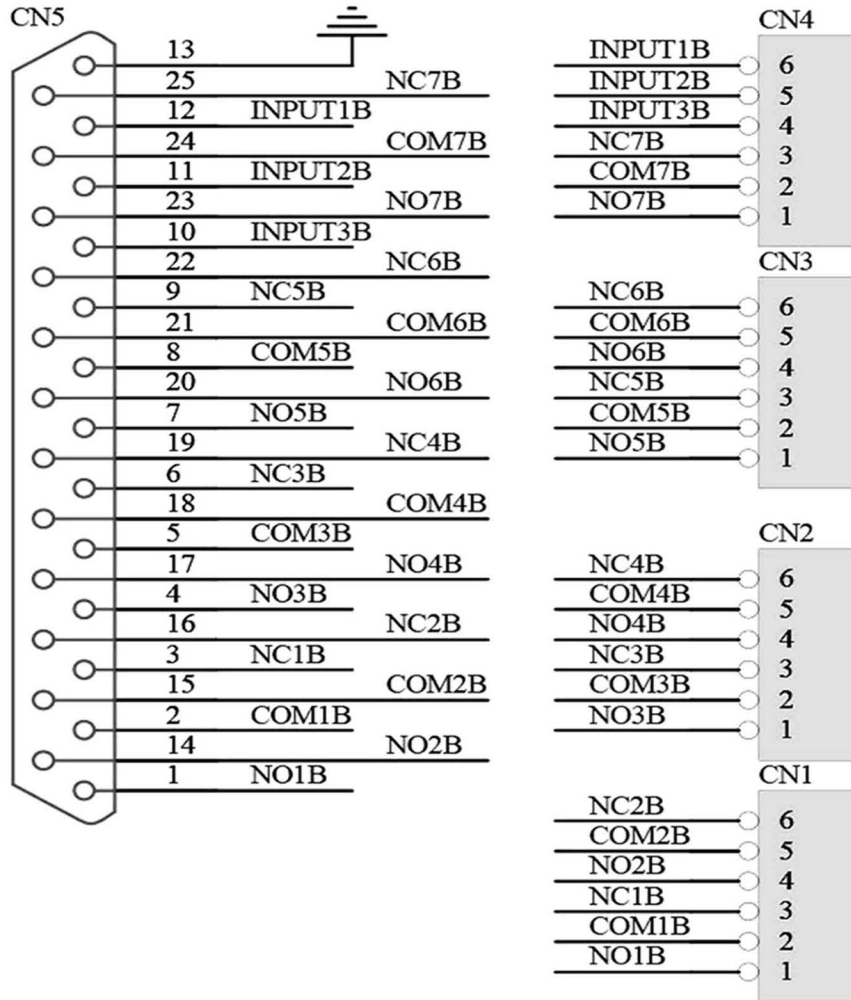
UPS Product Information

The AS-400 Relay (or RIO) Card converts UPS communication signals to potential-free, dry contacts for industrial control. It is designed for internal use with Marathon Power's Track Series UPS. Dry contact signals and pin-out details for the DB25 Connector are as follows:

Pin	Function	
1	NO1 = N.O. output	UPS on-battery.
2	Output 1 common = COM1	
3	NC1 = N.C. output	
4	NO3 = N.O. output	UPS shut-down.
5	Output 3 common = COM3	
6	NC3 = N.C. output	
7	NO5 = N.O. output	UPS overloaded.
8	Output 5 common = COM5	
9	NC5 = N.C. output	
10	Input 1	Turn the UPS on.
11	Input 2	Turn the UPS off.
12	Input 3	Start UPS self-test.
13	GND	
14	NO2 = N.O. output	UPS battery low.
15	Output 2 common = COM2	
16	NC2 = N.C. output	
17	NO4 = N.O. output	Replace UPS battery.
18	Output 4 common = COM4	
19	NC4 = N.C. output	
20	NO6 = N.O. output	Any UPS fault or self-test failure.
21	Output 6 common = COM6	
22	NC6 = N.C. output	
23	NO7 = N.O. output	UPS battery not connected.
24	Output 7 common = COM7	
25	NC7 = N.C. output	

Note: Contacts are rated at 1A, 24VDC or 1A, 120VAC

Track Series - Relay I/O SmartSlot Card Pinout



Part Number: TASR-INTL-01



2538 E. 54th Street
 Huntington Park, CA 90255
 Office: 310-689-2328
 Fax: 310-689-2329
 sales@marathon-power.com
 info@marathon-power.com
 www.marathon-power.com

Your local representative / distributor is